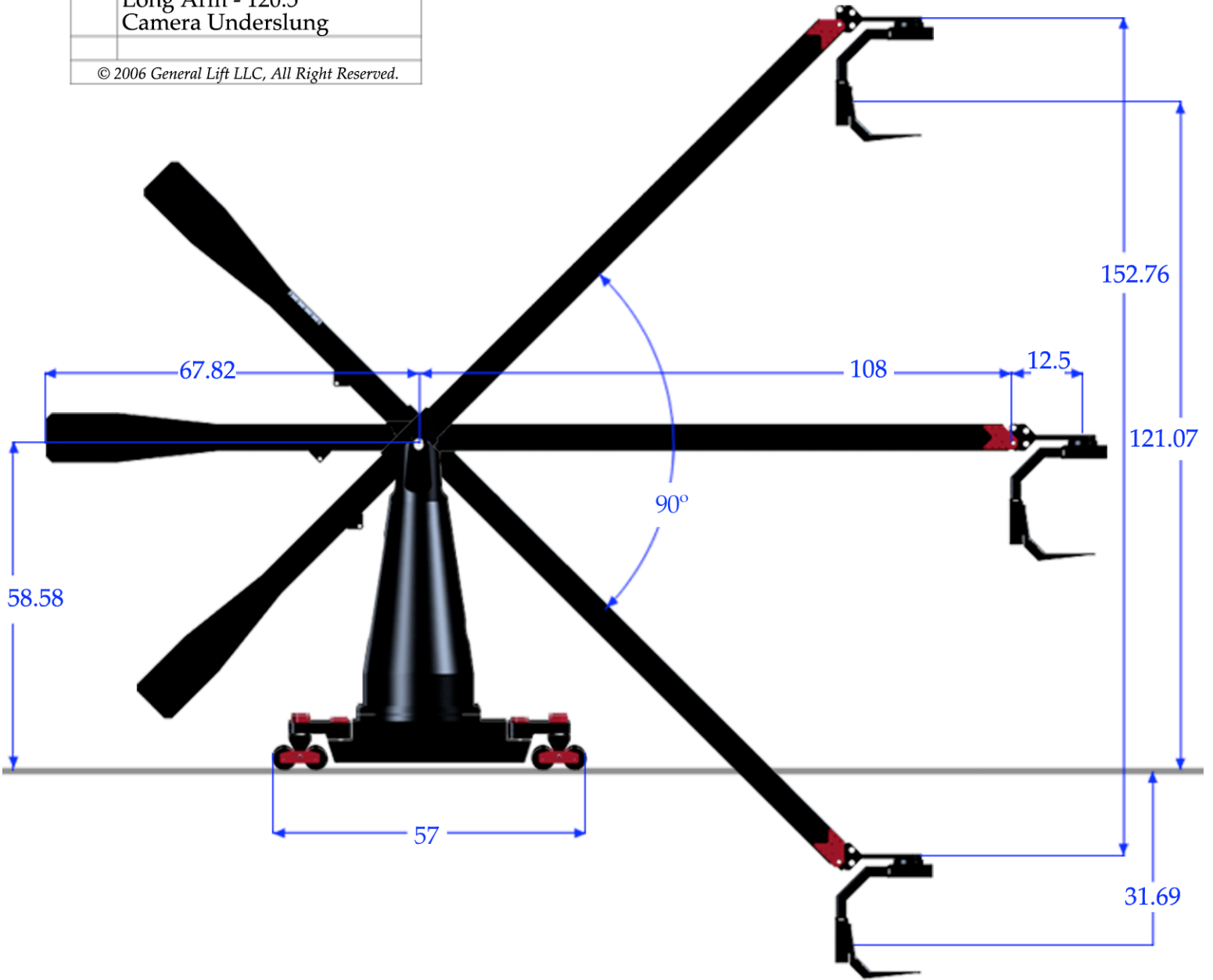
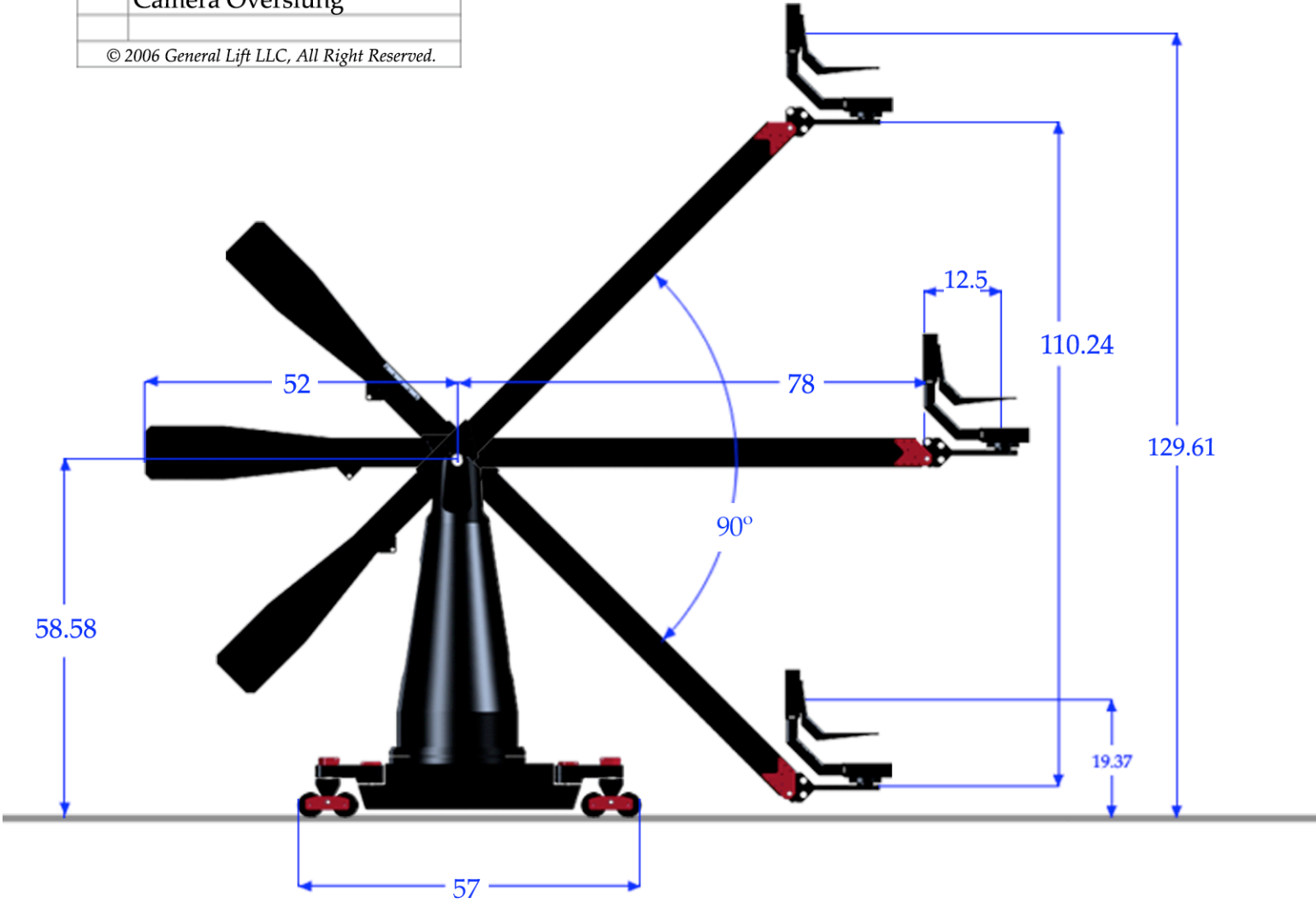


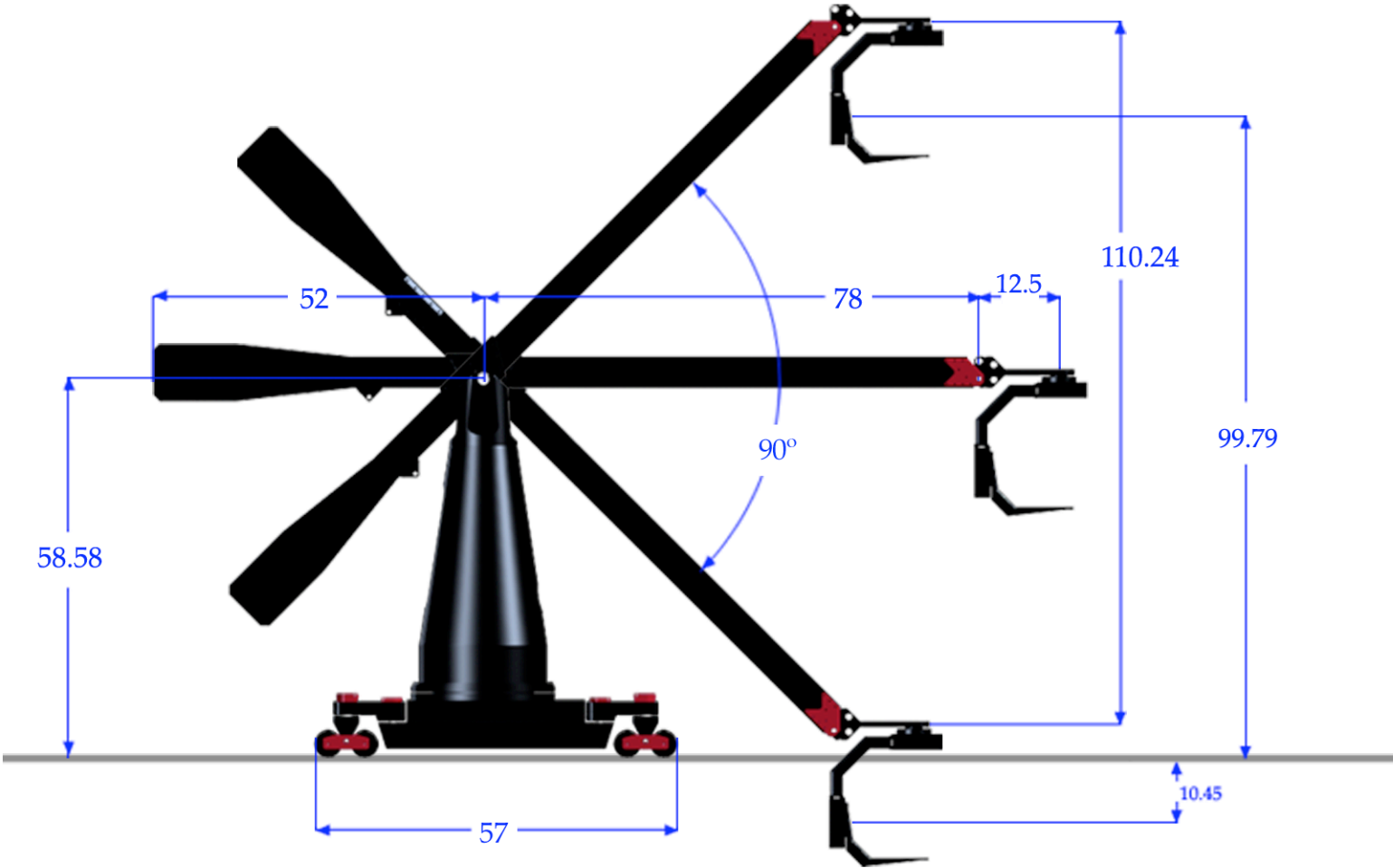
GenuFlex Mk III	
Long Arm - 120.5"	
Camera Underslung	
© 2006 General Lift LLC, All Right Reseroved.	



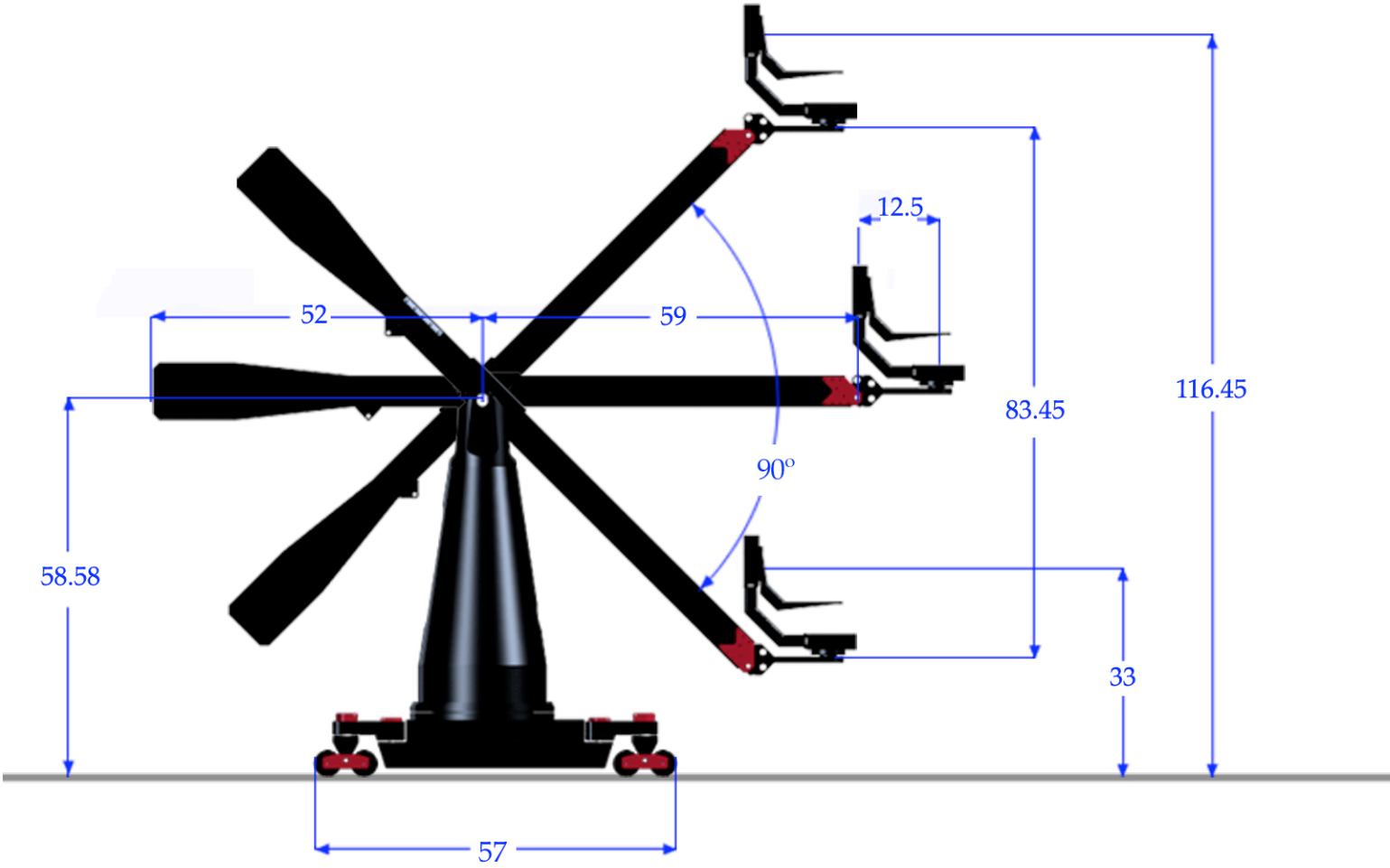
GenuFlex Mk III	
Standard Arm - 90.5"	
Camera Overslung	
© 2006 General Lift LLC, All Right Reseroed.	



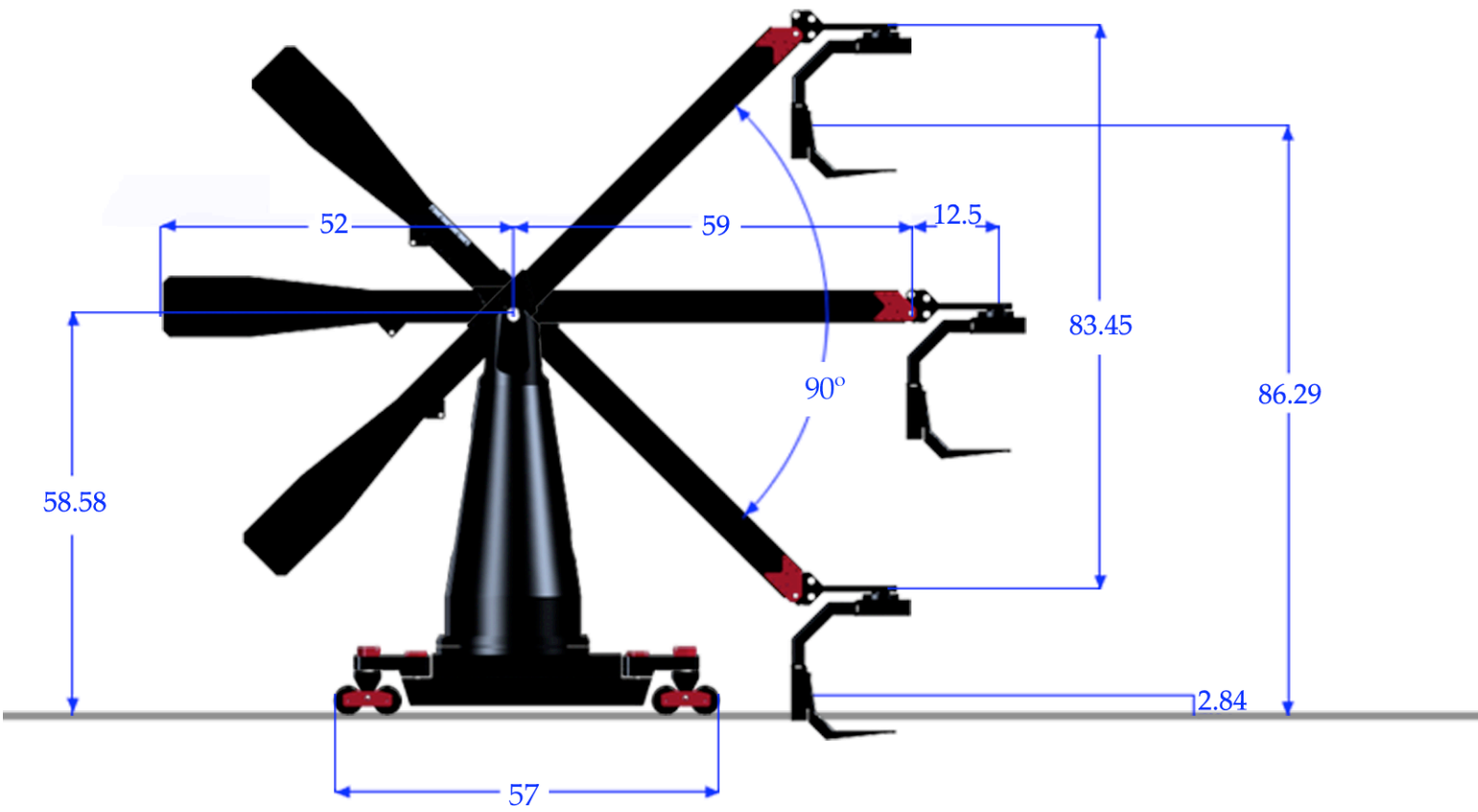
<i>GenuFlex Mk III</i>	
Standard Arm - 90.5"	
Camera Underslung	
© 2006 General Lift LLC, All Right Reserved.	



<i>GenuFlex Mk III</i>	
Short Arm - 71.5"	
Camera Overslung	
© 2006 General Lift LLC, All Right Reseroved.	



<i>GenuFlex Mk III</i>	
Short Arm - 71.5"	
Camera Underslung	
© 2006 General Lift LLC, All Right Reserved.	



Genuflex Mk III

Speed - JetRail/Genuflex

Track	excess 7 ft per second
Boom Swing	90° in 3 seconds
Boom Elevation	5 ft in 3 seconds
Camera Pan	90° in 1 sec. or less
Camera Tilt	90° in 1 sec. or less
Camera Roll	90° in 1 sec. or less

These figures are conservative and are achieved utilizing 160 Volt, 8 amp drivers on all axes.

Boom arm the distant from the center of rotation to camera film plane at nodal

Short arm	71.5 inches
Standard arm	90.5 Inches
Long arm	120.5 Inches

Boom arm is + / - 45 degrees off level

Short arm	with 83.54 inches of travel
Standard arm	with 110.24 inches of travel
Long arm	with 152.76 inches of travel

Center of boom arm rotation from floor to center is 58.58 inches.

Degrees Of Motion

Swing	360°+
Pan	360°+
Tilt	360°+
Roll	360°+

System weights

JetRail Dolly	150 lbs
Genuflex Mk3 body	460 lbs
Genuflex Long Arm	131 lbs
Genuflex Standard Arm	76 lbs
Genuflex Short Arm	65 lbs
RotoFlex Pan & Tilt Head	62 lbs
RotoFlex Pan, Roll Head	26 lbs