



GenuFlex Mk 1

General Specifications*

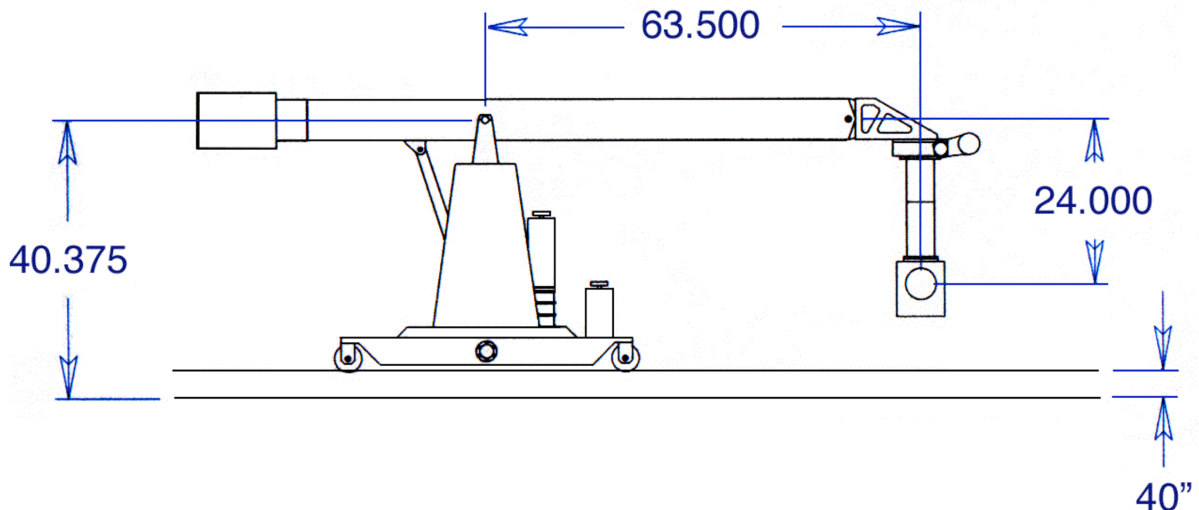
1. JetRail / GenuFlex can run at speeds in excess of 6.5 ft. per second.
2. Boom "swing" can rotate 90 degrees in 2 seconds or less.
3. Boom "elevation" can lift 4.5 feet in 3 seconds or less.
4. Camera pan axis can rotate 90 degrees in 1 second or less.
5. Camera tilt axis can rotate 90 degrees in 1 second or less.
6. Camera roll axis can rotate 90 degrees in 1 second or less.

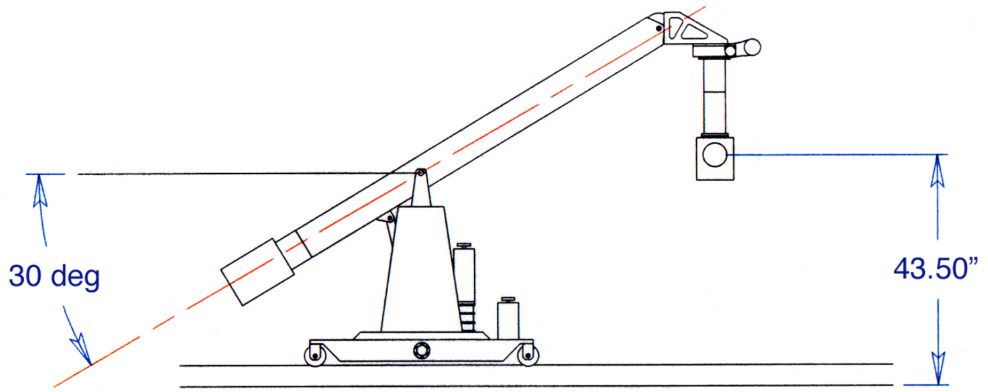
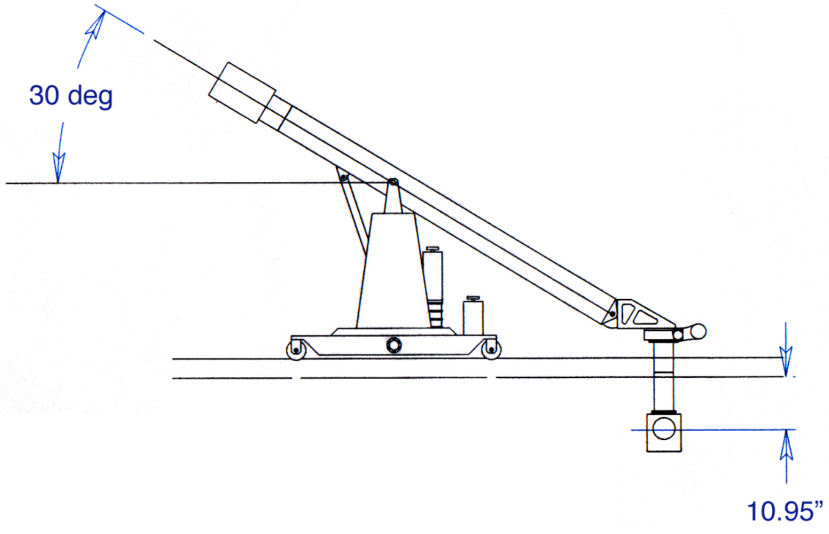
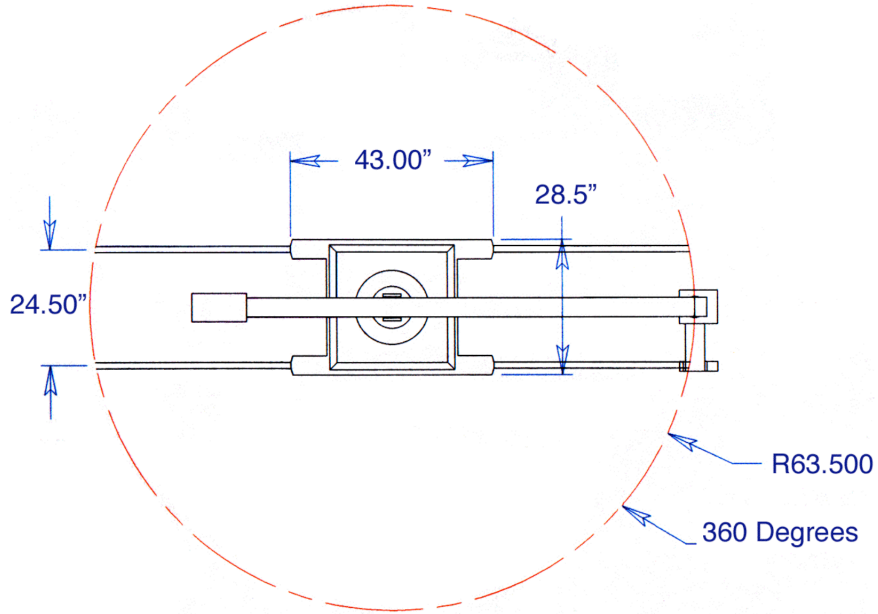
These figures are conservative and are achieved utilizing 160 Volt, 8 amp drivers on all axes.

1. Boom arm is 63.5 inches long from center of rotation to camera film plane at nodal.
2. Boom arm is + / - 30 degrees off level with 54.5 inches of travel
3. Center of boom arm rotation from floor to center is 40.375 inches.

System weights

- | | |
|-----------------------------------|---------|
| 1. JetRail Dooly | 105 lbs |
| 2. GenuFlex & Boom Arm | 445 lbs |
| 3. RotoFlex Pan & Tilt Head | 45 lbs |
| 4. RotoFlex Pan, Tilt & Roll Head | 65 lbs |





209 East El Segundo Blvd., El Segundo, CA 90245
Tel: 310-414-0717 Fax: 310-414-0705 www.general-lift.com